



Lifting and fixing systems

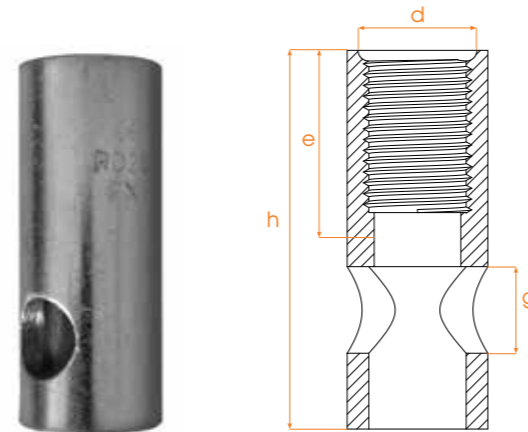


Lifting and fixing systems

LIFTING SOCKET 11FK32

The sockets are ideal used in thin walls with additional retention reinforcement.

A plastic stopper keeps the retention reinforcement in position and stops the concrete entering the socket thread.

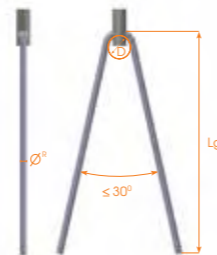


Article Reference	Load (kg)	Thread d	h (mm)	g (mm)	e (mm)
11 FK 32- Rd 12 - 040	500	Rd 12	40	8	22
11 FK 32- Rd 16 - 054	1200	Rd 16	54	13	27
11 FK 32- Rd 20 - 069	2000	Rd 20	69	15	35
11 FK 32- Rd 24 - 078	2500	Rd 24	78	18	43
11 FK 32- Rd 30 - 103	4000	Rd 30	103	22	56

Loads are designed for concrete strength C 20/25.

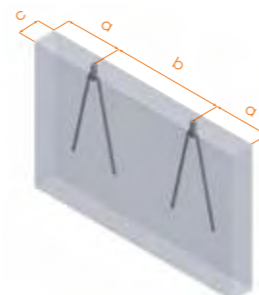
Retention reinforcement

Size	Lg (mm)	D (mm)	Ø ^R (mm)
Rd 12	220	24	6
Rd 16	310	40	10
Rd 20	430	48	12
Rd 24	470	56	14
Rd 30	650	64	16



Additional reinforcement: Transverse shear reinforcement.

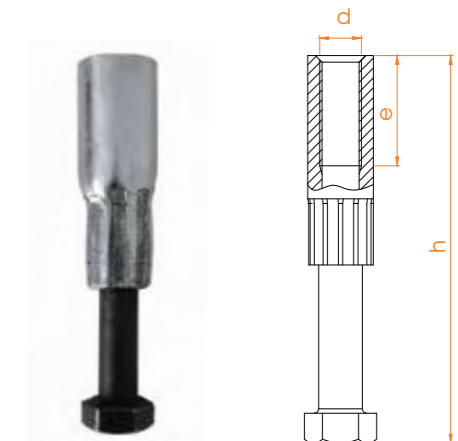
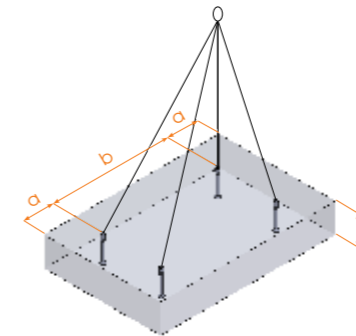
Size	Edge distance a (mm)	Minimum distance b (mm)	Minimum panel thickness c (mm)
Rd 12	150	300	60
Rd 16	200	400	80
Rd 20	275	550	110
Rd 24	300	600	125
Rd 30	350	650	140



Stainless steel 316 / A4 and more sizes on request.

Lifting and fixing systems

BOLT ANCHOR 11FK38



Article Reference	Load (kg)	Thread d	h (mm)
11FK 38 - Rd12-070	500	Rd 12	70
11FK 38 - Rd16-080	1200	Rd 16	80
11FK 38 - Rd 20-130	2000	Rd 20	130
11FK 38 - Rd 24-140	2500	Rd 24	140
11FK 38 - Rd 30-170	4000	Rd 30	170

Loads are designed for concrete strength C 20/25.

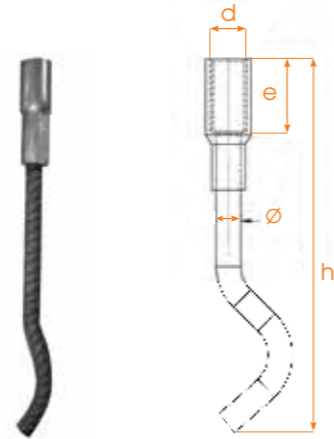
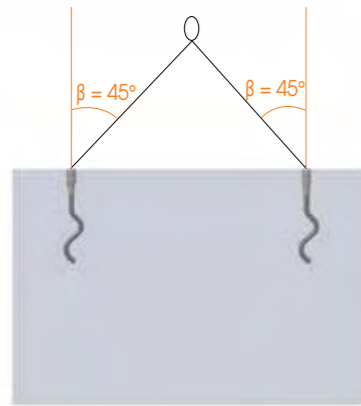
Size	Minimum edge distance a (mm)	Minimum distance b (mm)	Minimum panel thickness c (mm)
Rd 12	130	260	95
Rd 16	155	290	100
Rd 20	300	470	150
Rd 24	345	510	160
Rd 30	475	630	190

Stainless steel 316 / A4 and more sizes on request.

Lifting and fixing systems

**WAVE ANCHOR LONG
11FK31**

The wave anchor with prepressed reinforcement is ideal for thin precast panels.



Article Reference	Load (kg)	Thread d	h (mm)	e (mm)	Bar Ø (mm)
11 FK 31- Rd12 - 300	500	Rd12	300	25	8
11 FK 31- Rd16 - 320	1200	Rd16	320	27	12
11 FK 31- Rd20 - 400	2000	Rd20	400	35	14
11 FK 31- Rd24 - 450	2500	Rd24	450	43	16
11 FK 31- Rd30 - 600	4000	Rd30	600	56	20
11 FK 31- Rd36 - 750	6300	Rd36	750	69	25

Loads are designed for concrete strength C 20/25,

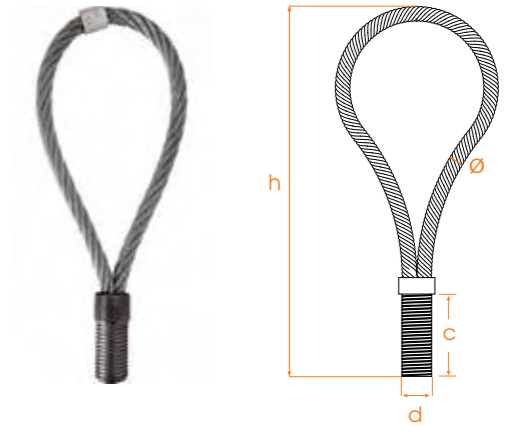
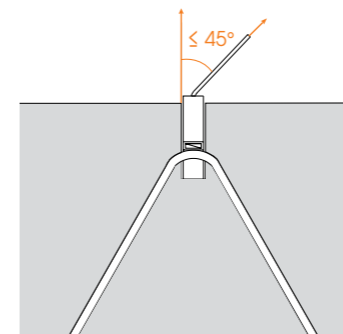
Size	Minimum edge distance a (mm)	Minimum distance b (mm)	Minimum panel thickness c (mm)
Rd 12	150	300	60
Rd 16	200	400	80
Rd 20	275	550	110
Rd 24	300	600	125
Rd 30	350	650	140
Rd 36	400	800	200

Stainless steel 316 / A4 and more sizes on request.

Lifting and fixing systems

**LIFTING LOOP
11FK42**

The lifting angle (below picture) should be maximum 45°.



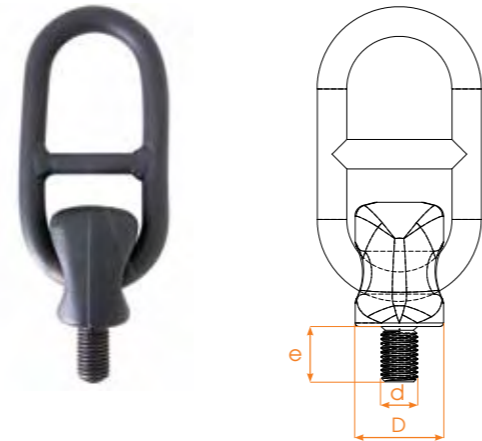
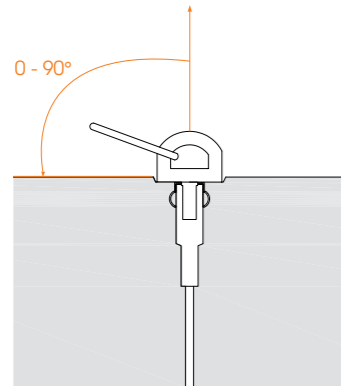
Article Reference	Load (kg)	Thread d	h (mm)	c (mm)	Wire Ø (mm)
11 FK 42- Rd12	500	Rd12	130	22	6
11 FK 42- Rd16	1200	Rd16	170	27	8
11 FK 42- Rd20	2000	Rd 20	210	35	10
11 FK 42- Rd24	2500	Rd 24	260	43	12
11 FK 42- Rd30	4000	Rd 30	340	56	16

More sizes on request.

Lifting and fixing systems

LIFTING EYE
11FK61

The lifting angle (below picture) could be between 0 - 90°.



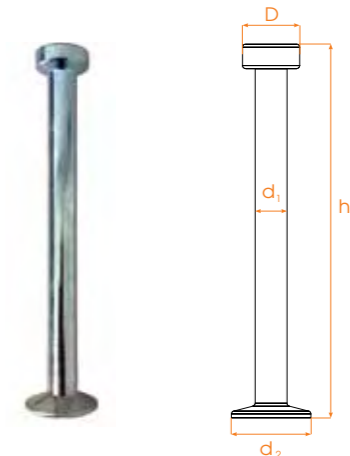
Article Reference	Load (kg)	Thread d	D (mm)	e (mm)
11 FK 61- Rd12	1000	Rd12	36	18
11 FK 61- Rd16	2500	Rd16	36	20
11 FK 61- Rd20	4000	Rd 20	52	30
11 FK 61- Rd24	5000	Rd 24	57	30
11 FK 61- Rd30	7500	Rd 30	70	35
11 FK 61- Rd36	10000	Rd 36	80	50

More sizes on request.

Lifting and fixing systems

SPHERICAL HEAD ANCHOR
06FT

Ideal for lifting concrete pipes and thin slabs.
Material: Black steel



Article Reference	Load (t)	h (mm)	D (mm)	d ₁ (mm)	d ₂ (mm)
06FT - 1.3 -120	1.3	120	18	10	25
06FT - 2.5 -085	2.5	85	25	14	35
06FT - 2.5 -170	2.5	170	25	14	35
06FT - 5.0 -240	5.0	240	36	20	50
06FT - 5.0 -340	5.0	340	36	20	50
06FT - 7.5 -300	7.5	300	46	24	60
06FT -10.0-340	10.0	340	46	28	70
06FT -10.0-500	10.0	500	46	28	70
06FT -15.0-400	15.0	400	69	34	85
06FT -20.0-500	20.0	500	69	38	98

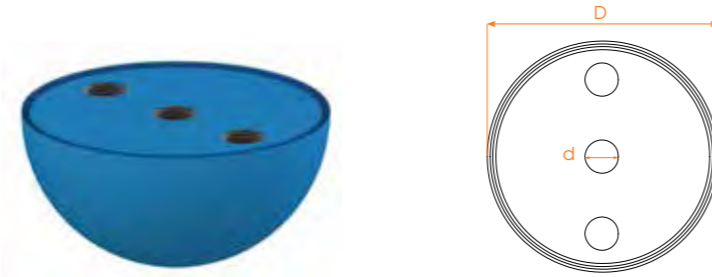
Zinc plated steel or stainless steel 316/A4 and more sizes on request.



Lifting and fixing systems

RUBBER RECESS
06 FRB

Reusable rubber recess for positioning the spherical head anchor in the shuttering.
Material: Polystyrene Rubber.



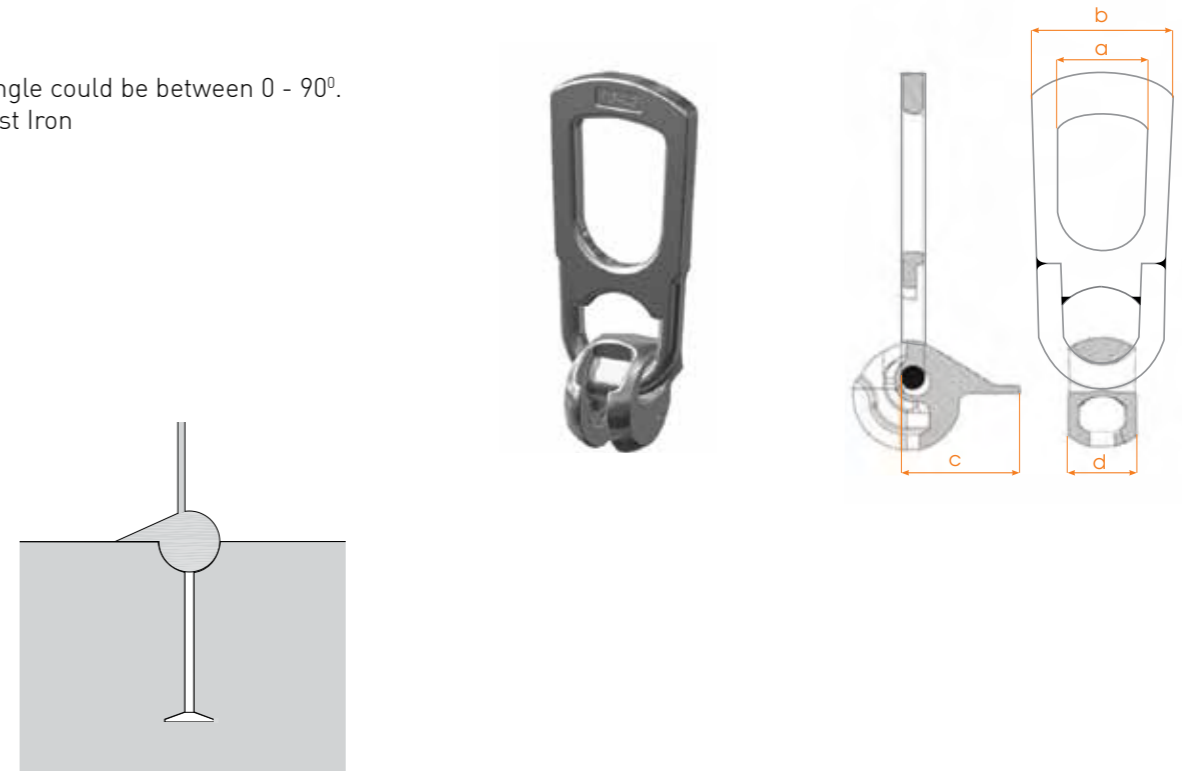
Article Reference	Load(t)	Thread d	D (mm)
06 FRB - 1.3	1.3	M 8	60
06 FRB - 2.5	2.5	M10	75
06 FRB - 5.0	5.0	M10	98
06 FRB - 7.5	7.5	M10	120
06 FRB - 10.0	10.0	M10	120
06 FRB - 15.0	15.0	M10	165
06 FRB - 20.0	20.0	M10	165

Magnet or steel recess on request.

Lifting and fixing systems

LIFTING CLUTCH
06 FTH2

The lifting angle could be between 0 - 90°.
Material: Cast Iron



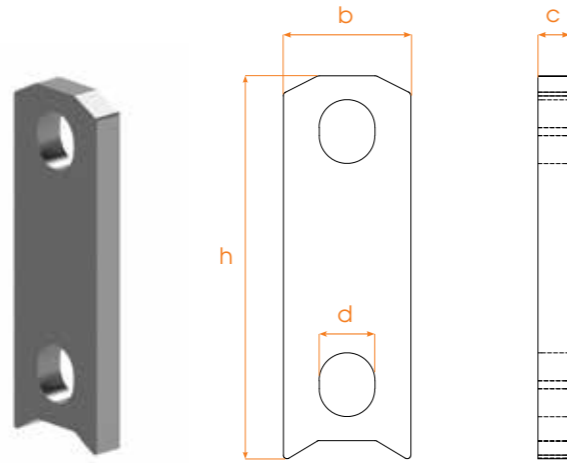
Article Reference	Load (t)	a (mm)	b (mm)	c (mm)	d (mm)
06FT H2 - 1.3	1.3	47	75	52	56
06FT H2 - 2.5	2.5	58	88	62	66
06FT H2 - 5.0	5.0	70	118	85	88
06FT H2 - 10.0	7.5-10.0	88	160	116	115
06FT H2 - 20.0	15.0-20.0	120	185	168	155

More sizes on request.

Lifting and fixing systems

**TWO HOLE ANCHOR
0600 FF**

Material: Black Steel



Article Reference	Load (t)	h (mm)	b (mm)	c (mm)	d (mm)
0600 FF - 2.5-090	2.5	90	30	10	14
0600 FF - 5.0-120	5.0	120	40	15	18
0600 FF - 7.5-160	7.5	160	60	16	30
0600 FF - 10.0-170	10.0	170	60	20	30

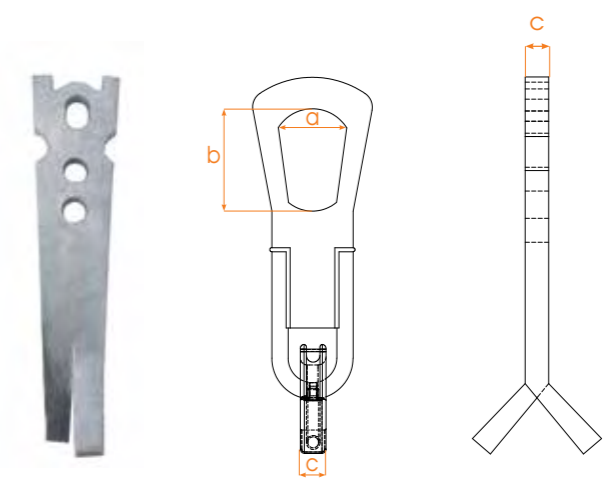
Load (t)	Minimum distance	Minimum panel thickness (mm)
2.5	600	100
5.0	750	120
7.5	1200	130
10.0	1200	140

Zinc plated steel or stainless steel 316/A4 and more sizes on request.

Lifting and fixing systems

**ERECTION ANCHOR
0675 FF**

Material: Black Steel



Article Reference	Load (t)	h (mm)	b (mm)	c (mm)
0675 FF - 2.5 -230	2.5	230	50	10
0675 FF - 5.0 -290	5.0	290	70	15
0675 FF - 7.5 -320	7.5	320	100	15
0675 FF - 10.0-390	10.0	390	100	20

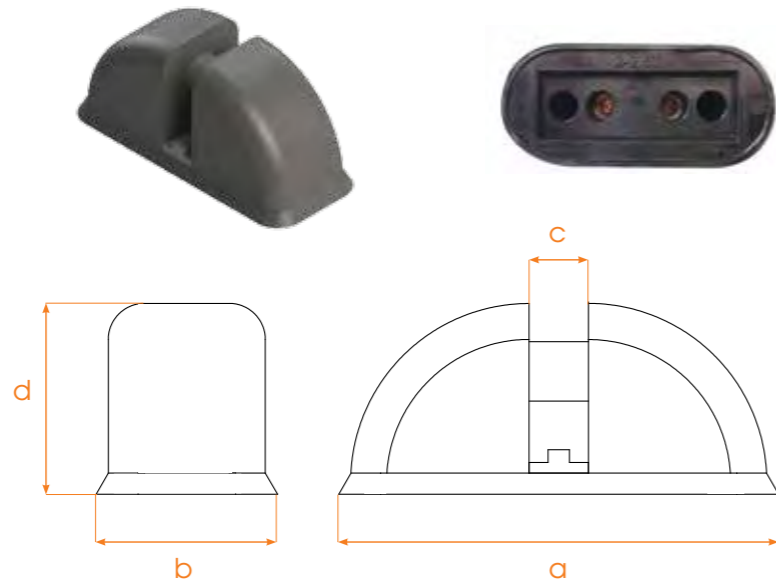
Load (t)	Minimum distance (mm)	Minimum panel thickness (mm)	Load < 30°	Load > 30°
2.5	800	120	25	20
5.0	1000	180	50	40
7.5	1200	200	75	60
10.0	1500	250	100	80

Zinc plated steel or stainless steel 316/A4 and more sizes on request.

Lifting and fixing systems

RUBBER RECESS
06RBF

Reusable rubber recess for positioning the erection anchor in the shuttering.
Material: Polystyrene Rubber

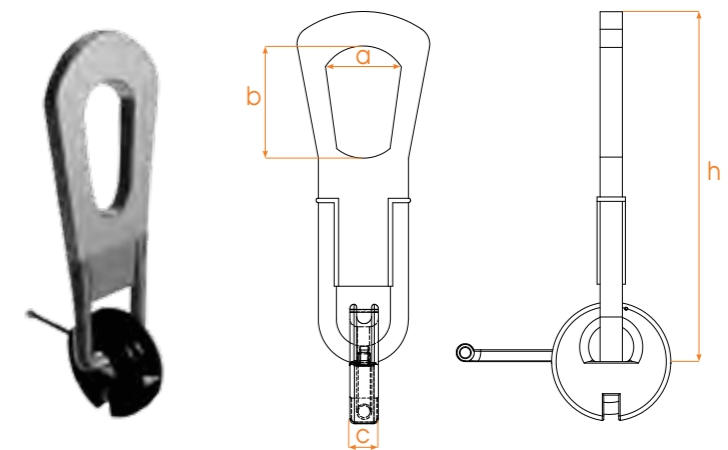


Article Reference	Load (t)	a (mm)	b (mm)	c (mm)	d (mm)
06RBF- 2.5	2.5	103	43	10	44
06RBF- 5.0	5.0	132	54	16	59
06RBF-10.0	7.5-10.0	198	79	20	59

Lifting and fixing systems

RING CLUTCH
06 TF2

The lifting angle could be between 0-90°.
Material: Cast Iron



Article Reference	Load (t)	a (mm)	b (mm)	c (mm)	h (mm)
06 TF2 - 2.5	2.5	52	70	30	285
06 TF2 - 5.0	5.0	70	86	36	285
06 TF2-10.0	7.5-10.0	90	112	50	353

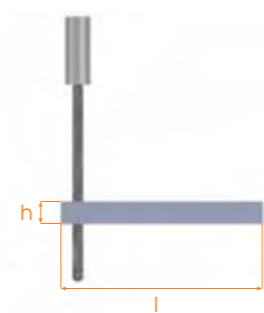
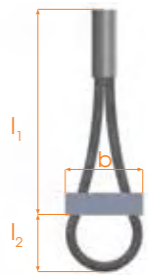
Lifting and fixing systems

**LOOP BOX CONNECTION
14LB**

Connection from precast elements,
to use with non shrinking grout.
Material: Wire hdg



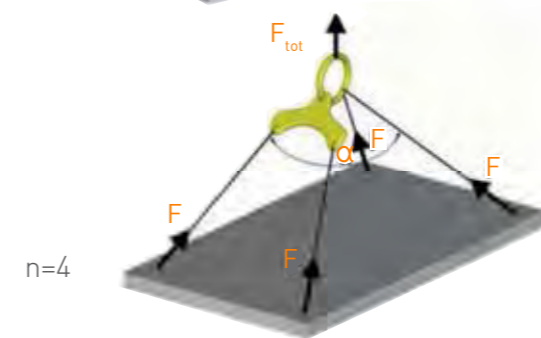
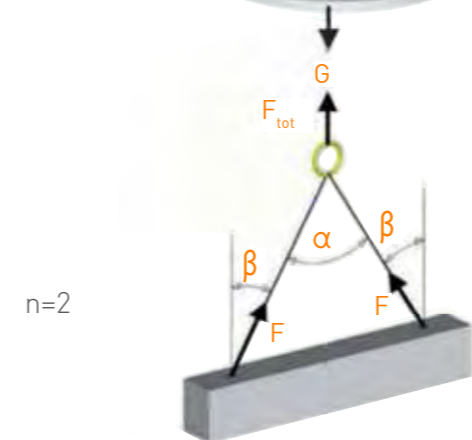
Article Reference	size	b (mm)	l (mm)	h (mm)	l ₁ (mm)	l ₂ (mm)
14LB 080	80	50	160	20	210	80
14LB 100	100	50	160	20	210	100
14LB 120	120	50	160	20	210	120



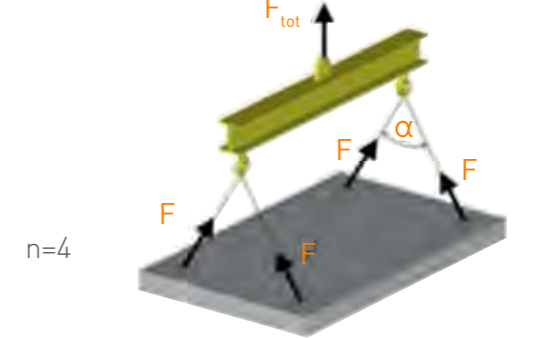
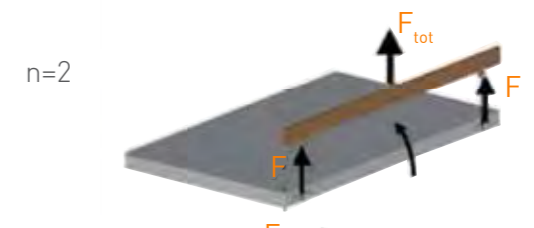
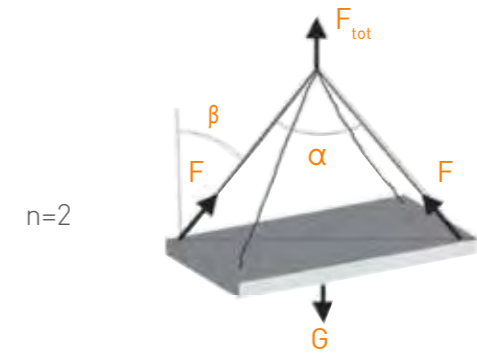
Lifting and fixing systems

**NUMBER OF LOAD BEARING
ANCHORS**

N=2 Only can be
assumed to be load bearing



The compensated
lifting slides ensure
equal load distribution.



A perfect static weight
distribution can be
obtained through the use of a lifting
beam and two pairs of anchors set out
symmetrically.

Fixinox France

21 rue Jean-Pierre Timbaud - 75011 Paris
Ile de France, Ouest, Sud - Ouest: +33(0)6 09 49 47 55
Nord, Est, Sud - Est, International: +33(0)6 88 97 07 83
Fax: +32(0)71 81 05 29

Fixinox Belgium

Z.I. de Jumet Première rue, 8 - 6040 Jumet (Charleroi)
Tel: +32(0) 71 81 05 26 Fax: +32(0) 71 81 05 29
info@fixinox.be

EPS Gulf & Middle East

Tel: +971-6-5251297
info@eps-gulf.com



Viva Bahria Pearl, Doha



Ibis Hotel, Dubai



Stadium, Al Ain



Cooling Tower, Doha